



Know Your Power

Real-time Energy Metering, Data logging, and Power Analysis



eGauge Pro Energy Meter

Each eGauge Pro unit combines an energy meter, data logger, and a web server. This powerful combination lets you measure, store and retrieve data directly from the device or from a remote location. Not only does it calculate power (V, A, VAR, kWh, etc), but also data from optional sensors that assess flow rate, temperature, wind speed, and more. You can view historical and live data for up to 30 years with the unit's convenient user interface (UI). The UI can be accessed on a local network or via the internet from a computer, tablet, or smartphone. Once connected, you have access to real-time values, long term reports, an interactive graphical interface, and many other tools. The best part is that you pay nothing for the user interface because you retrieve data directly from your own eGauge hardware, not a cloud or 3rd party host.



- 30 Sensor Ports
- Measure AC or DC Power
- BACnet, Modbus, XML API
- Alerts via SMS or Email
- Ethernet, WiFi, Cell, PLC
- High Accuracy
- No Monthly Fees

Hardware Features

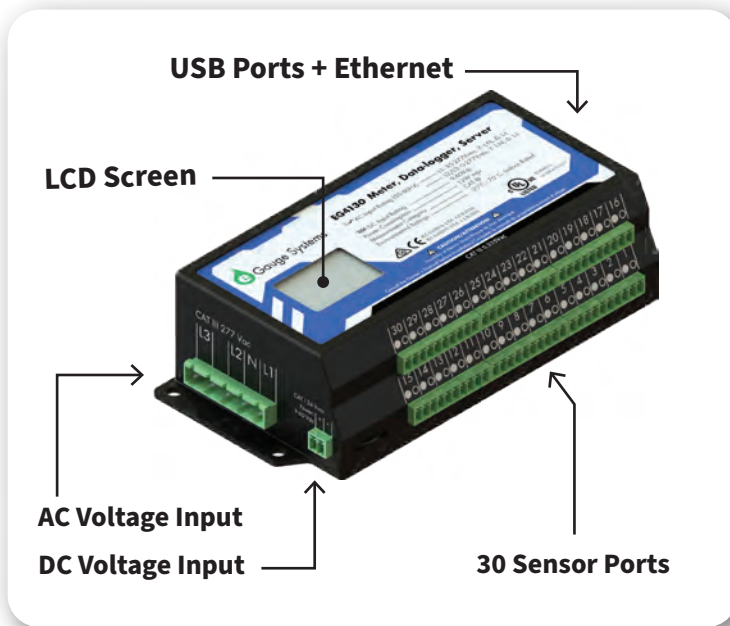
AC & DC Voltage Connection

Measure AC or DC line voltage with a single meter. This combination lets you simultaneously track 12, 24, and 48Vdc battery backup and 0-277Vac applications.



30 Sensor Ports

Lower your cost per metering point and install fewer meters per job. Each sensor port reads the output from 0.333 mV current transformers (CTs). The inputs allow for the connection of AC or DC current transformers.



Ethernet & PLC

Every eGauge Pro supports Ethernet and Powerline communication. Additional data communication devices, such as a WiFi dongle or cellular modem can be connected to the Ethernet or USB ports.

LCD Screen

The LCD screen displays the current configuration and values the eGauge is measuring. The screen is also a means to perform setup troubleshooting actions, such as a factory reset.

2 USB Ports

The addition of USB will help users expand their monitoring projects by allowing for the integration of many new devices and sensors. The ports can accept WiFi adapters, USB <-> RS485 converters, etc... and also provide power to devices that require 5V @ 1A or less.

